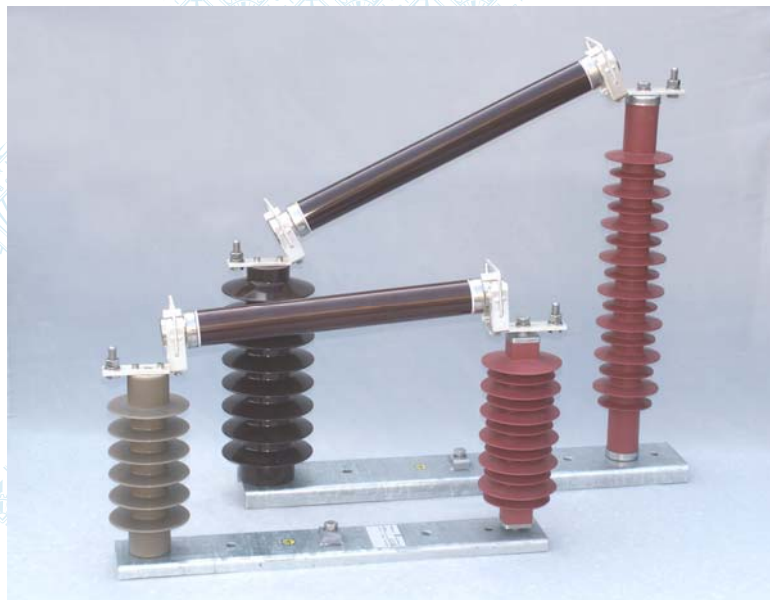


Outdoor fuse bases with overvoltage limiters

single-pole design
rated voltage 25 and 38.5 kV
rated current up to 200 A



DRIBO, spol. s r.o.

Pražákova 36
619 00 Brno
Czech Republic

Tel.: +420 533 101 111, Fax: +420 543 216 619, E-mail: dribo@dribo.cz, Internet: <http://www.dribo.eu>

ISO 9001
ISO 14001
BUREAU VERITAS
Certification



Outdoor fuse bases with overvoltage limiters

The outdoor single-pole fuse bases with overvoltage limiters mounted instead of the supporting insulator represent a very beneficial solution to a combined overvoltage and overcurrent protection, while providing reduced dimensions and low mass at the same time.

The fuse bases satisfy the Czech standard EN 62271-1, the fuses meet the stipulations of EN 60282-1. The supporting insulators and the overvoltage limiters comply with the stipulations for pollution degree IV areas as defined by ČSN 33 0405.

The fuse bases with overvoltage limiters are used as a fuse fixture installed in a MV electrical circuit, especially at transition points from an overhead into

a cable line, or when connecting transformers to the line.

The fuse base frame is made of steel sheet profiles, the surface of which is protected with hot-galvanization to prevent corrosion.

All the current-carrying parts of the fuse bases are made of galvanic silver-coated electrolytical copper.

The fuse bases are delivered along with supporting insulators, made of cycloaliphatic resin, and provided with actually any type of overvoltage limiter. As a standard outfit overvoltage limiters manufactured by ABB, RAYCHEM and TRIDELTA are used.



ABB

- For 25 kV: type POLIM D 24N or MVK 25
- For 38,5 kV: type MVK 39



RAYCHEM

- For 25 kV: type HDA-24NA or HDA-26N
- For 38,5 kV: type HDA-40N

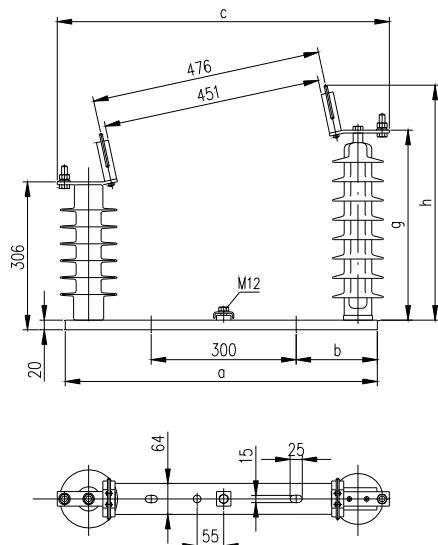


TRIDELTA

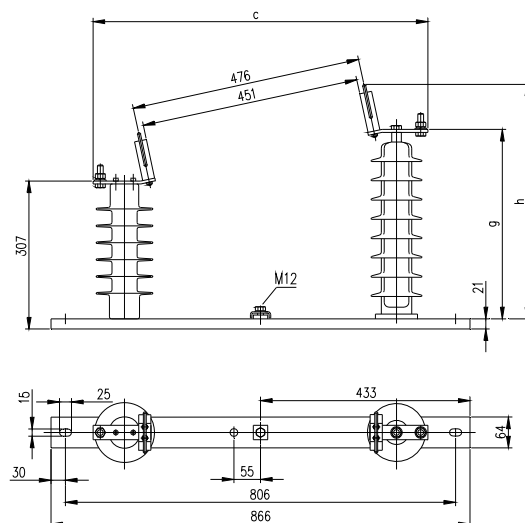
- For 25 kV: type SBK-I 31/5 or SBK-I 31/10
- For 38,5 kV: type SBK-I 48/5 or SBK-I 48/10

Types of fuse bases for voltage of 25 kV

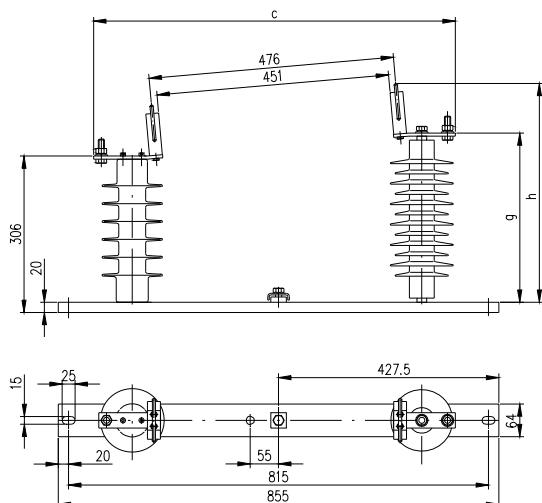
type PSO 25



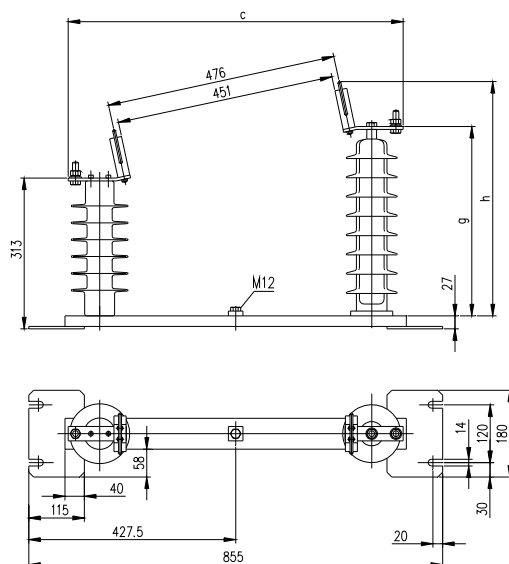
type PSO 25/2



typ PSO 25/3



typ PSO 25/4



Rated voltage in KV	Type of overvoltage limiter	Ordering number ¹⁾	a mm	b mm	c mm	g mm	h mm	Weight in kg ²⁾
25	ABB, typ POLIM D 24N	1101 2501x	597	148	658	291	390	8,0
25	ABB, typ MVK 25	1101 2502x	646	168	688	393	486	8,5
25	RAYCHEM, typ HDA-24NA	1101 2503x	646	168	702	331	428	8,5
25	RAYCHEM, typ HDA-26N	1101 2506x	646	168	691	421	512	9,0
25	TRIDELTA typ SBK-I 31/5	1101 2504x	597	148	658	280	379	8,0
25	TRIDELTA typ SBK-I 31/10	1101 2505x	597	148	658	280	379	8,5

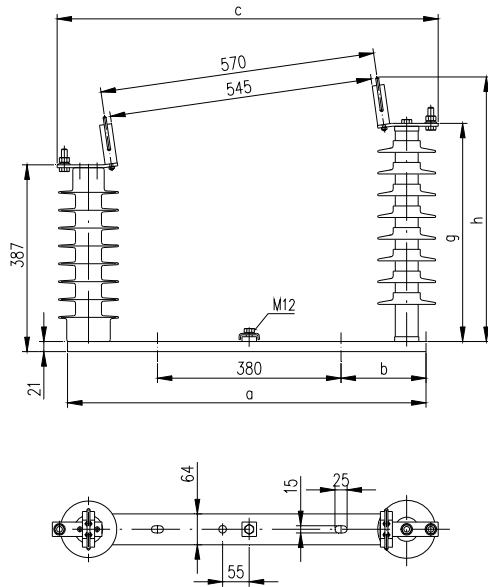
¹⁾ the last digit of the ordering number means the type of the fuse base:

- 1101 25xx0 .. PSO 25
- 1101 25xx1 .. PSO 25/2
- 1101 25xx3 .. PSO 25/3
- 1101 25xx2 .. PSO 25/4

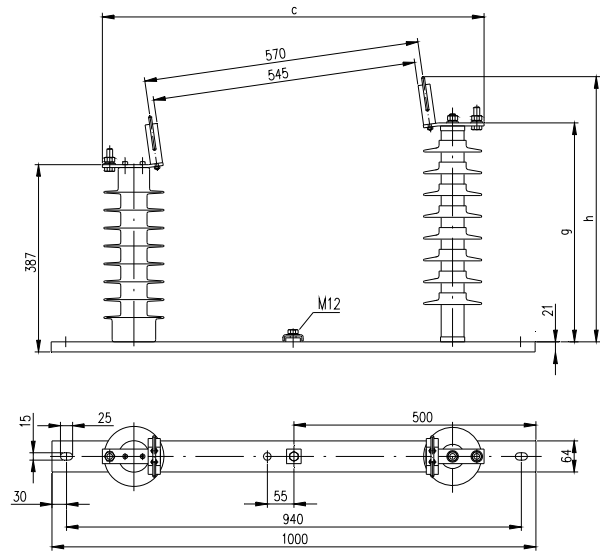
²⁾ without fuses

Types of fuse bases for voltage of 38.5 kV

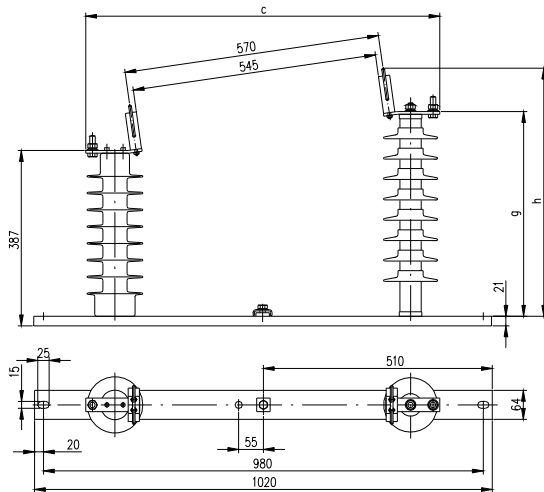
type PSO 38



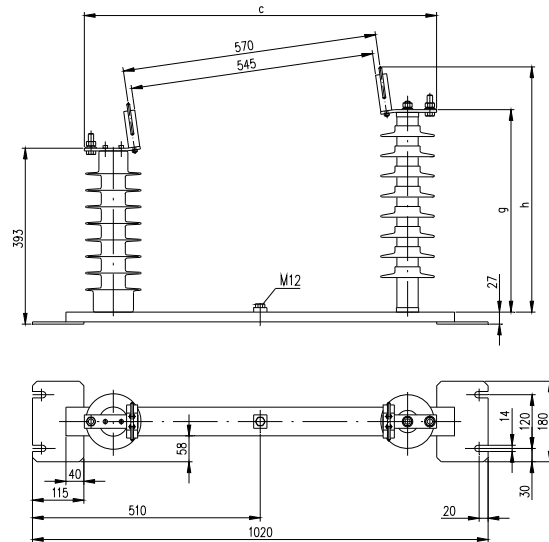
type PSO 38/2



typ PSO 38/3



typ PSO 38/4



Rated voltage in KV	Type of overvoltage limiter	Ordering number ¹⁾	a mm	b mm	c mm	g mm	h mm	Weight in kg ²⁾
38.5	ABB, typ MVK 39	1101 3801x	742	176	777	513	605	14,5
38.5	RAYCHEM, typ HDA-40N	1101 3802x	684	152	733	636	717	13,5
38.5	TRIDELTA, typ SBK-I 49/5	1101 3803x	742	176	789	452	548	14,5
38.5	TRIDELTA, typ SBK-I 49/10	1101 3804x	742	176	789	452	548	15,0

¹⁾ the last digit of the ordering number means the type of the fuse base:

- 1101 38xx0 .. PSO 38
- 1101 38xx1 .. PSO 38/2
- 1101 38xx3 .. PSO 38/3
- 1101 38xx2 .. PSO 38/4

²⁾ without fuses